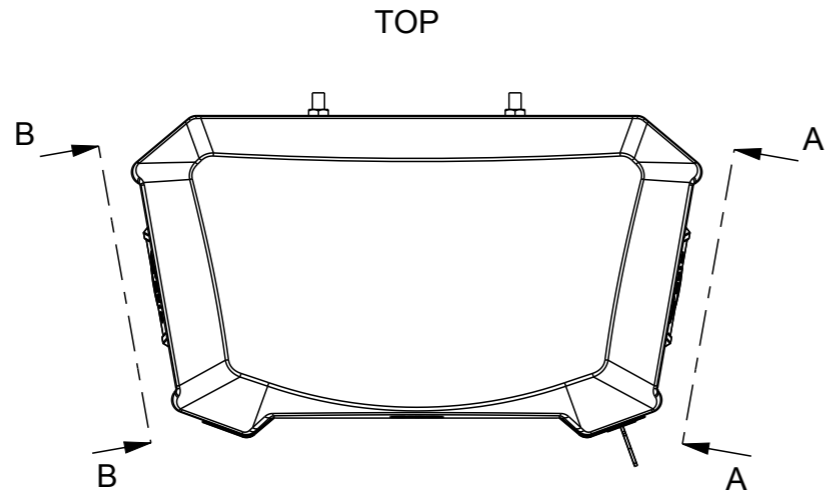
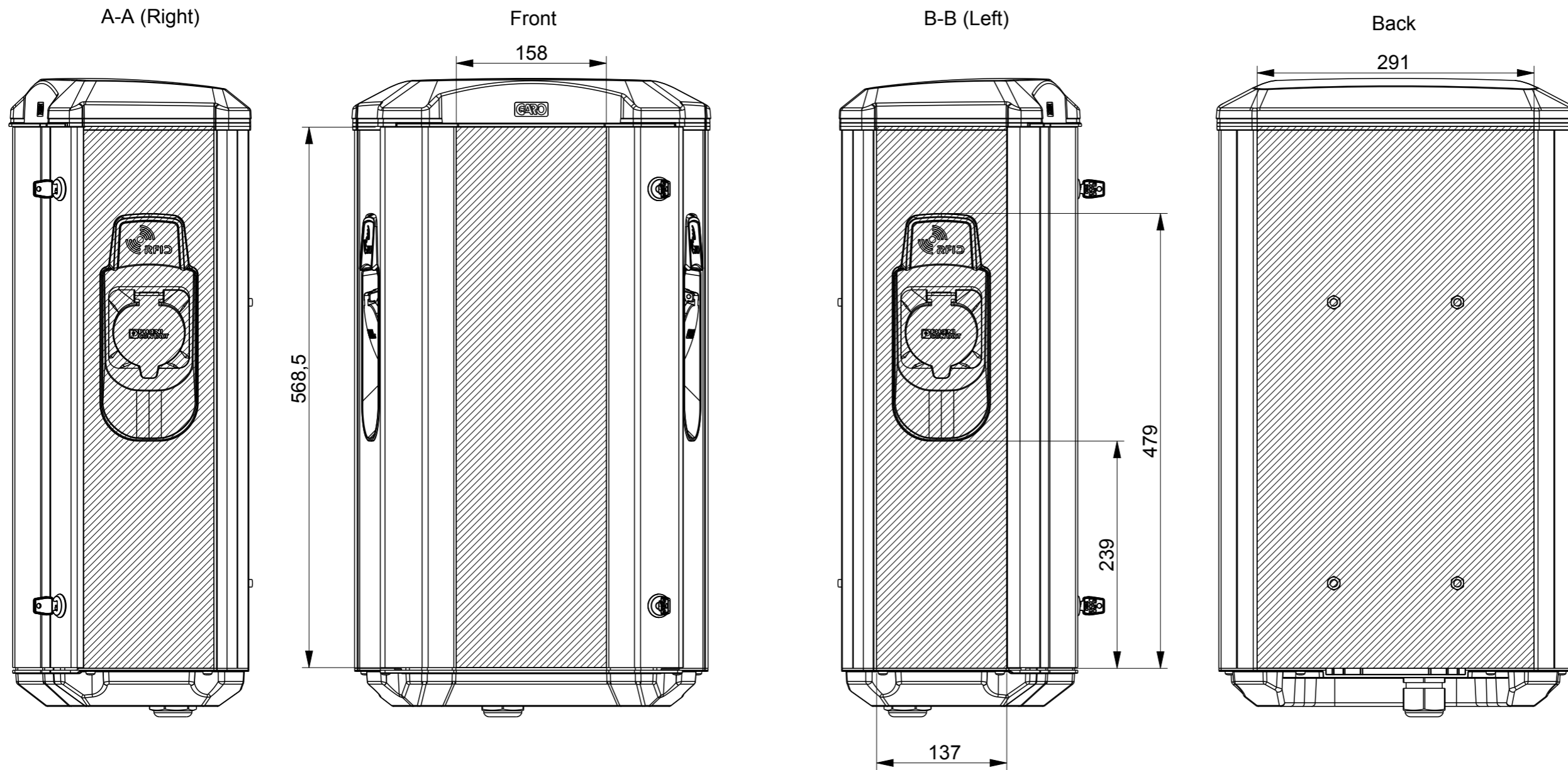


Rev:	Description:	Date:	Designer:
1	NEW DRAWING	2020-03-03	MaJu

This document must be in state "Released" to be valid for serial production use. If document is in state "Concept", "Concept Prototype" or "Prototype", it is only valid for prototype production.

This document must not be copied without our permission, and the contents thereof must not be imported to a third party nor be used for any unauthorized purpose.



Hatch surfaces=foil surfaces.  
On back and side surfaces appr. 5mm on the top will be hidden behind sealing.

Created date:	Format:	Material:	<b>GARO</b>
2020-01-15	A3	----	
Weight:	Placement:	Surface treatment / Color:	
		*	
Designer:	Scale:	Tolerance:	State:
MaJu	1:5	*	Released
Project:	Description:	Drawing number:	Rev:
INGELA	FOIL DRAWING, INGELA	TLA_INGELA	1